

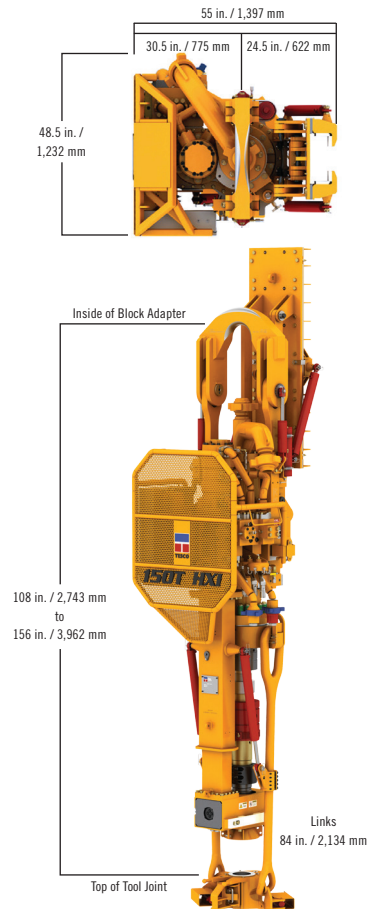


## TOP DRIVES

"HELPING OUR CUSTOMERS ACHIEVE SUPERIOR RESULTS"

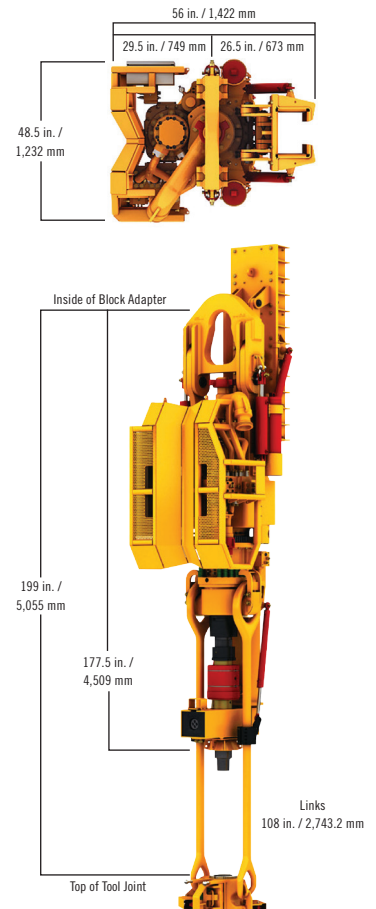
# 150 HXI 700

- High Torque Output
- Versatile Design Eases Rig Up/Down
- Service Rig Integrations
- Combine with the CCDS™ For The Ultimate Compact Solution
- 25T Pull Down While Rotating
- Integrates Into Existing Rig Hydraulic System
- Dolly System Integrations

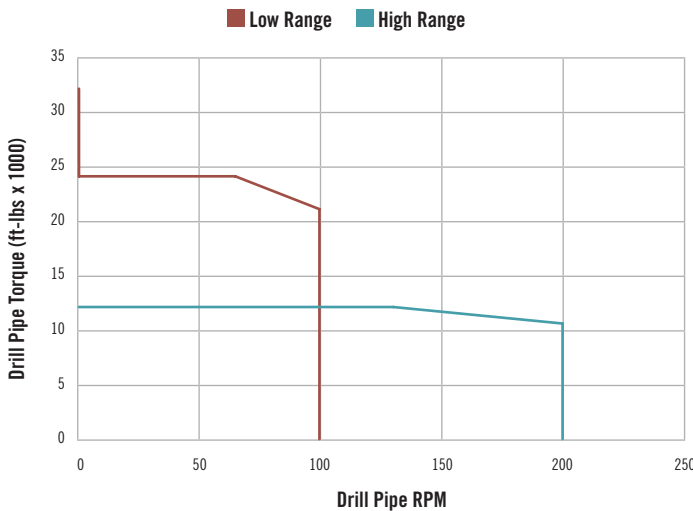


# 250 HXI 700

- #1 Selling 250T Hydraulic In The World
- Worldwide Parts/Service For All Products
- CE/ATEX Option
- Integrates Into Existing Rig Hydraulic System
- Dolly System Integrations

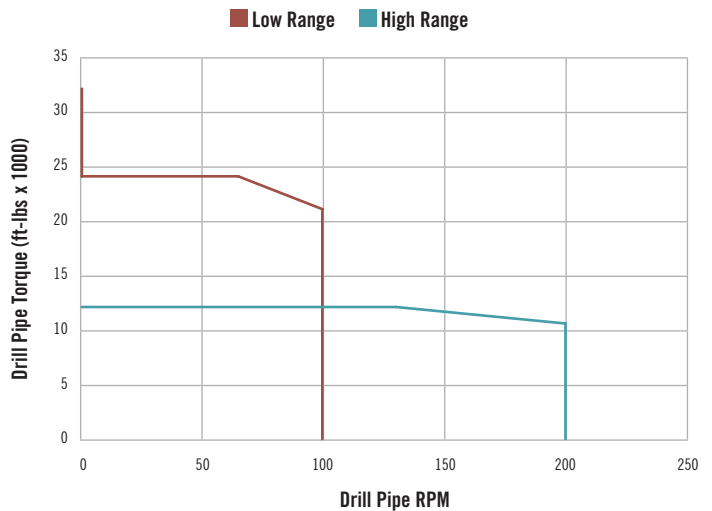


**PERFORMANCE CURVE: 150 HXI 700 TOP DRIVE TORQUE VS. SPEED - 2.28:1 GEAR RATIO**



PERFORMANCE SPECIFICATIONS	IMPERIAL	METRIC
Certified Capacity (API 8C)	150 ton	136 tonne
Max Speed	200 rpm	200 rpm
Continuous Drill Torque	24,000 lbf-ft	3,252 daN-m
Maximum Torque	32,000 lbf-ft	4,336 daN-m
Temperature Configurations	Temperature Range options from -40°F to +140°F and -50°C to +55°C.	

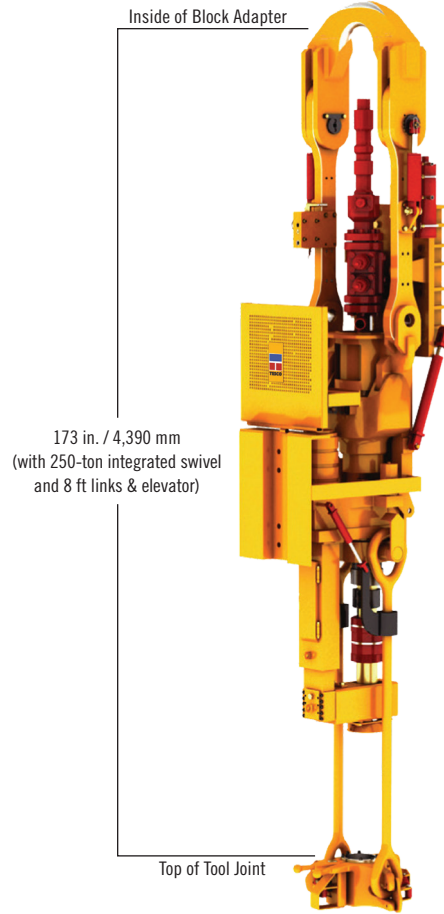
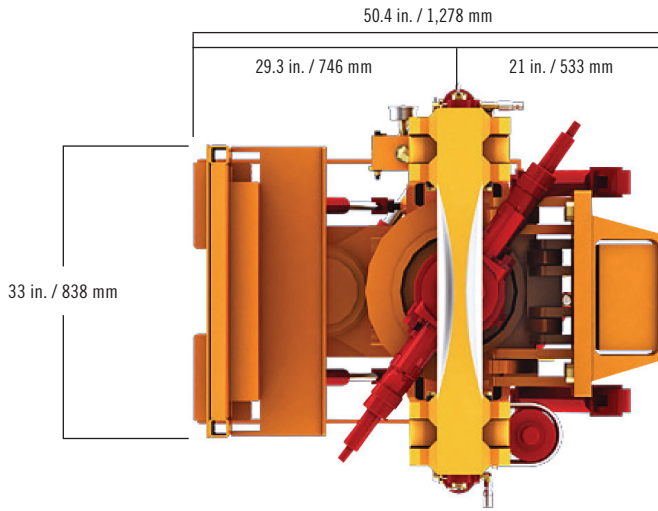
**PERFORMANCE CURVE: 250 HXI 700 TOP DRIVE TORQUE VS. SPEED - 2.28:1 GEAR RATIO**



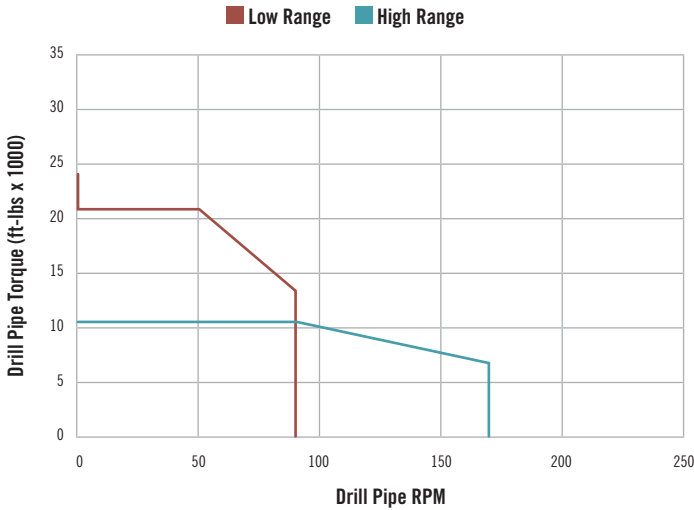
PERFORMANCE SPECIFICATIONS	IMPERIAL	METRIC
Certified Capacity (API 8C)	250 ton	227 tonne
Max Speed	200 rpm	200 rpm
Continuous Drill Torque	24,000 lbf-ft	3,252 daN-m
Maximum Torque	32,000 lbf-ft	4,336 daN-m
Temperature Configurations	Temperature Range options from -40°F to +140°F and -50°C to +55°C.	

# 150/250 HMI 475

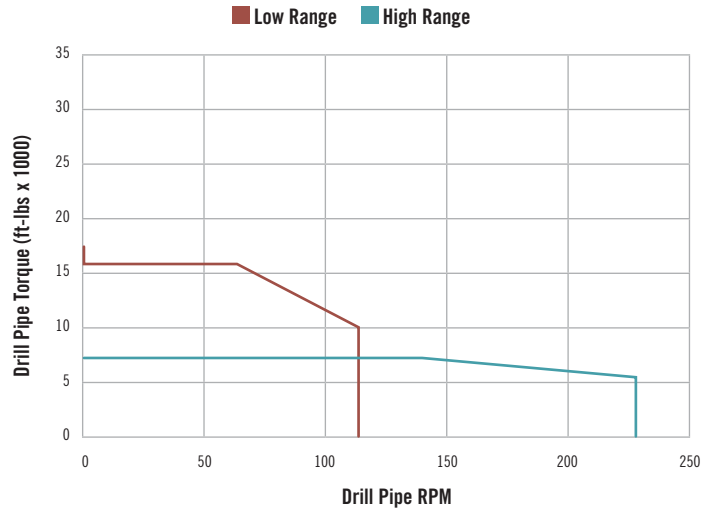
- Small Footprint
- Arctic Workhorse
- CE/ATEX Option
- Integrates Into Existing Rig Hydraulic System
- Dolly System Integrations



**PERFORMANCE CURVE: 250 HMIS 475 TOP DRIVE TORQUE VS. SPEED - 2.19:1 GEAR RATIO**

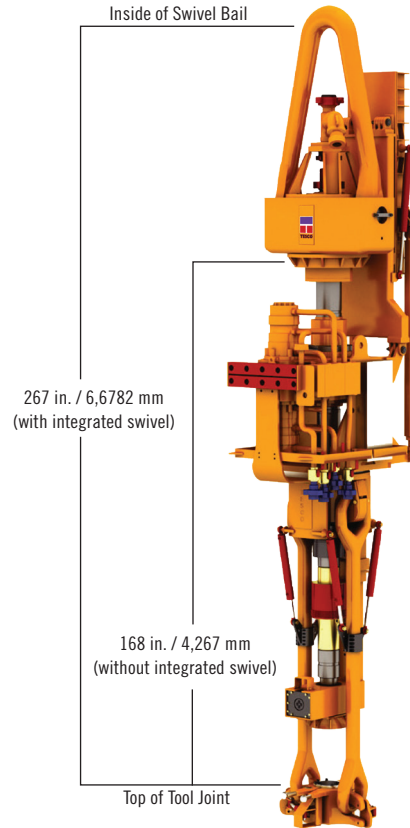
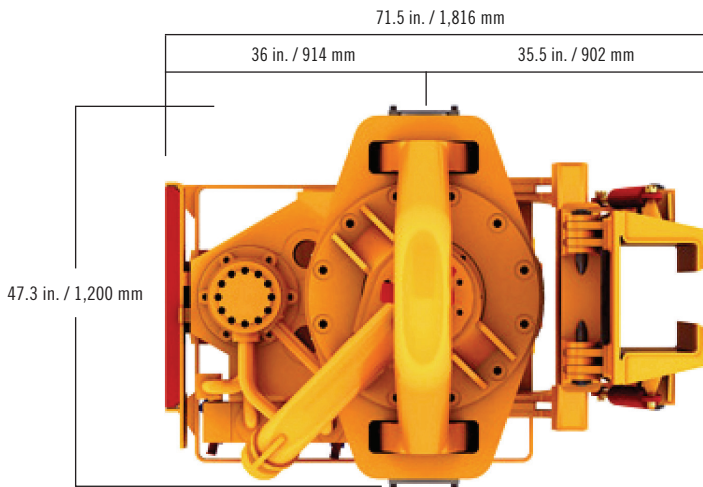


**PERFORMANCE CURVE: 250 HMIS 475 TOP DRIVE TORQUE VS. SPEED - 1.64:1 GEAR RATIO**

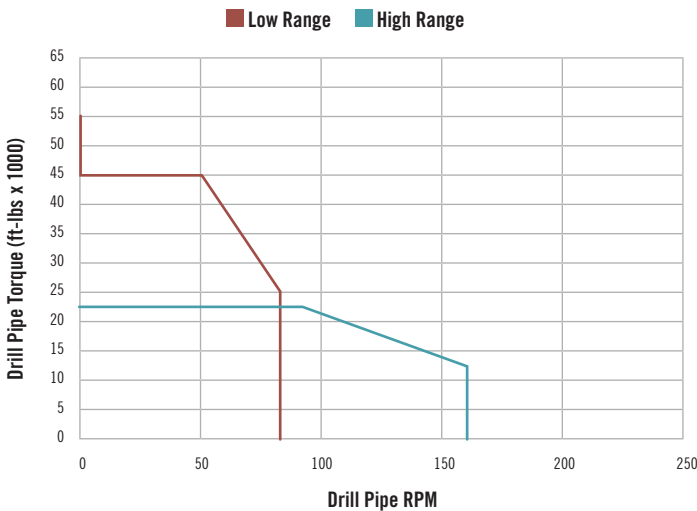


	PERFORMANCE SPECIFICATIONS	
	IMPERIAL	METRIC
Certified Capacity (API 8C)	150 or 250 ton	227 tonne
Max Speed	170 rpm	170 rpm
Continuous Drill Torque	21,000 lbf-ft	2,847 daN-m
Maximum Torque	21,000/23,500 lbf-ft	2,847/3,195 daN-m
Temperature Configurations	Temperature Range options from -40°F to +140°F and -50°C to +55°C.	

# 500/650 HCI 750/1205

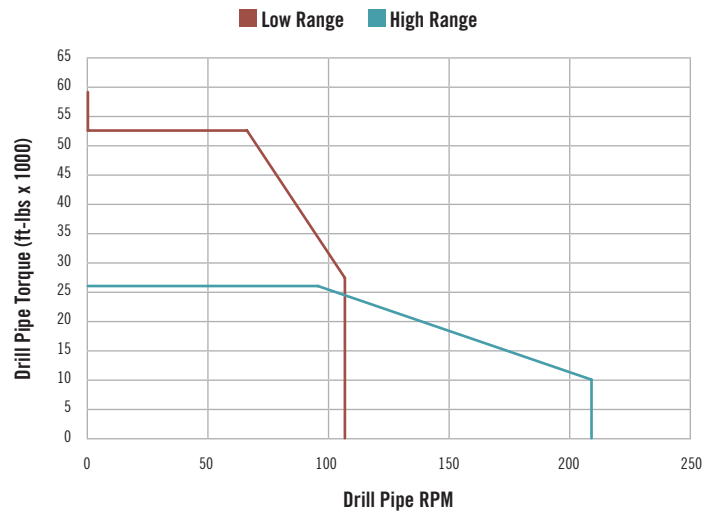


**PERFORMANCE CURVE: 500/600 HCI 750 TOP DRIVE TORQUE VS. SPEED - 2.76:1 GEAR RATIO**



PERFORMANCE SPECIFICATIONS	IMPERIAL	METRIC
Certified Capacity (API 8C)	500 or 650 ton	454 or 590 tonne
Max Speed	170 rpm	170 rpm
Continuous Drill Torque	44,600 lbf-ft	6,047 daN-m
Maximum Torque	44,600/55,150 lbf-ft	6,047/6,299 daN-m
Temperature Configurations	Temperature Range options from -40°F to +140°F and -50°C to +55°C.	

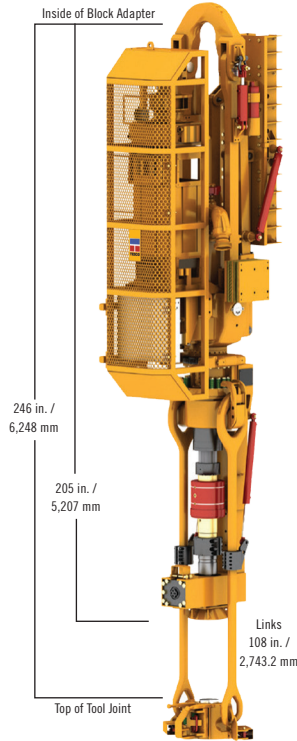
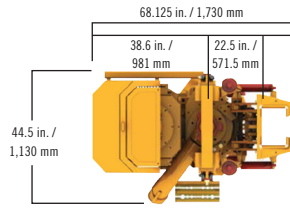
**PERFORMANCE CURVE: 500/600 HCI 1205 TOP DRIVE TORQUE VS. SPEED - 2.76:1 GEAR RATIO**



PERFORMANCE SPECIFICATIONS	IMPERIAL	METRIC
Certified Capacity (API 8C)	500 or 650 ton	454 or 590 tonne
Max Speed	210 rpm	210 rpm
Continuous Drill Torque	52,800 lbf-ft	7,158 daN-m
Maximum Torque	52,800/59,400 lbf-ft	7,158/8,053 daN-m
Temperature Configurations	Temperature Range options from -40°F to +140°F and -50°C to +55°C.	

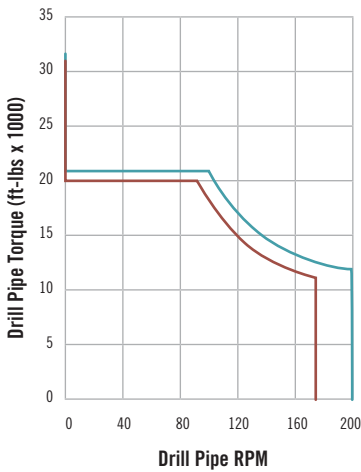
# 150/250 EMI 400

- In Mast Transportation Option
- Integrated Split Block Option
- Compatible With Most VFD Systems
- Dolly System Integrations
- Compatible With 3rd Party Control Systems



## PERFORMANCE CURVE: 150/250 EMI 400 TOP DRIVE

- TORQUE VS. SPEED - 12.47:1 GEAR RATIO
- TORQUE VS. SPEED - 10.96:1 GEAR RATIO

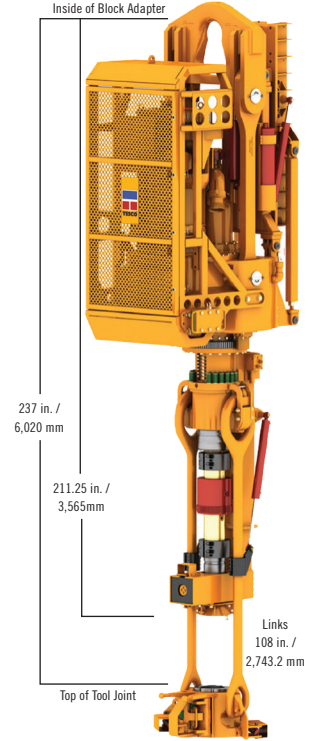
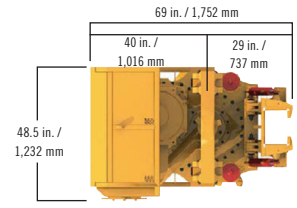


12.47	PERFORMANCE SPECIFICATIONS	IMPERIAL	METRIC
	Certified Capacity (API 8C)	150 or 250 ton	136 or 227 tonne
	Max Speed	176 rpm	176 rpm
	Continuous Drill Torque	23,000 lbf-ft	3,118 daN-m
	Maximum Torque	35,000 lbf-ft	4,745 daN-m
	Temperature Configurations	Temperature Range options from -40°F to +140°F and -50°C to +55°C.	

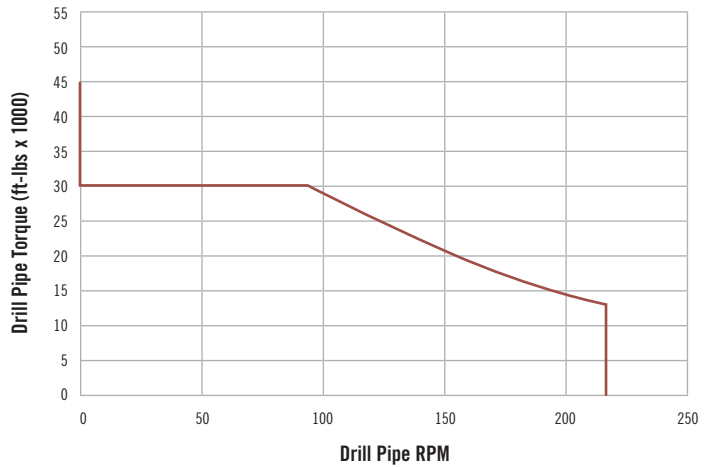
10.96	PERFORMANCE SPECIFICATIONS	IMPERIAL	METRIC
	Certified Capacity (API 8C)	150 or 250 ton	136 or 227 tonne
	Max Speed	200 rpm	200 rpm
	Continuous Drill Torque	21,000 lbf-ft	2,847 daN-m
	Maximum Torque	32,000 lbf-ft	4,338 daN-m
	Temperature Configurations	Temperature Range options from -40°F to +140°F and -50°C to +55°C.	

# 350/400 EXI 600

- In Mast Transportation Option
- Integrated Split Block Option
- Compatible With Most VFD Systems
- Dolly System Integrations
- Compatible With 3rd Party Control Systems
- 25T Pull Down While Rotating
- CE/ATEX Option
- Stackable Module/Service Loop Option



## PERFORMANCE CURVE: 350/400 EXI 600 TOP DRIVE TORQUE VS. SPEED - 11.11:1 GEAR RATIO

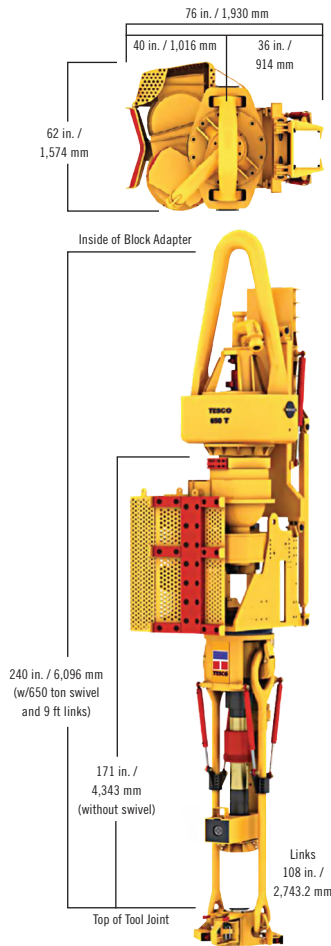


PERFORMANCE SPECIFICATIONS	IMPERIAL	METRIC
Certified Capacity (API 8C)	350 or 400 ton	317 tonne
Max Speed	220 rpm	220 rpm
Continuous Drill Torque	30,000 lbf-ft	4,067 daN-m
Maximum Torque	45,000 lbf-ft	6,101 daN-m
Temperature Configurations	Temperature Range options from -40°F to +140°F and -50°C to +55°C.	



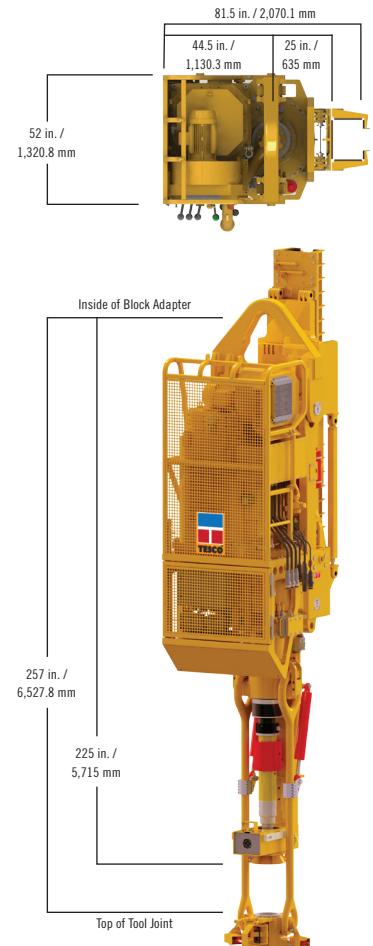
# 500/650 ECI 900

- Permanent Magnet Motor Technology
- Lightest Weight In 500/650T Class
- Ideal For Heli-Transport Solutions
- Compatible With Existing Swivel
- Dolly System Integrations
- New eDrive Maximizes Operating Performance
- 1350 HP Option
- eDrive Upgrade Available For Existing Units
- Offshore Capable

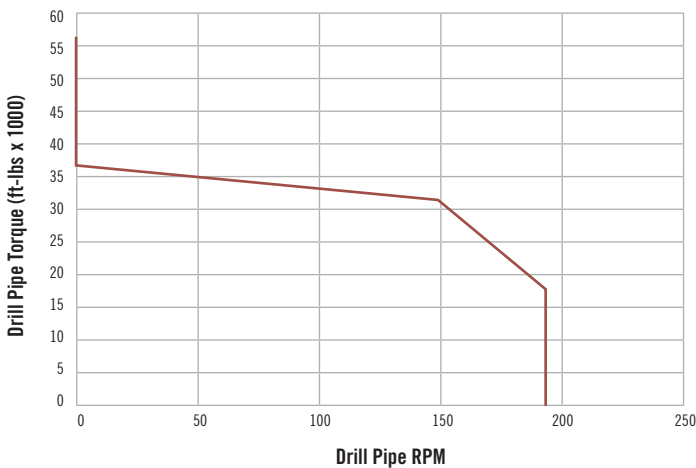


# 500 ESI 1000

- Tesco's Newest Model
- 100T Pull Down Capacity
- Compatible With Most VFD Systems
- Compatible With 3rd Party Control Systems
- Dolly System Integrations

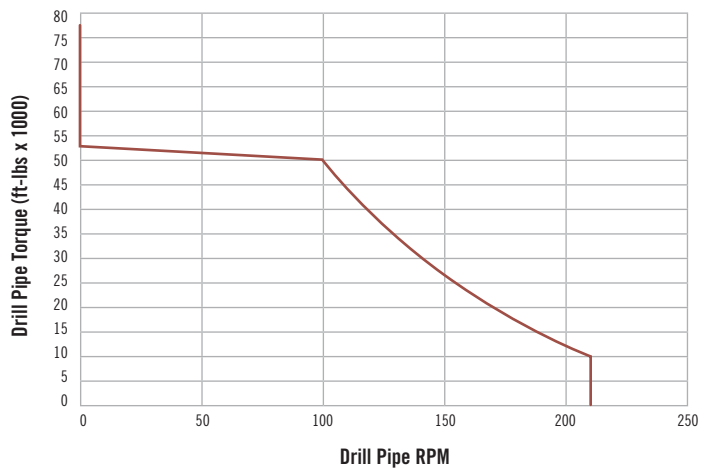


**PERFORMANCE CURVE: 500/650 ESI 900 TOP DRIVE TORQUE VS. SPEED - 18.61:1 GEAR RATIO**



PERFORMANCE SPECIFICATIONS	IMPERIAL	METRIC
Certified Capacity (API 8C)	500 or 600 ton	454 or 590 tonne
Max Speed	193 rpm	193 rpm
Continuous Drill Torque	36,700 lbf-ft	4,976 daN-m
Maximum Torque	45,000/56,000 lbf-ft	6,101/7,592 daN-m
Temperature Configurations	Temperature Range options from -40°F to +140°F and -50°C to +55°C.	

**PERFORMANCE CURVE: 500 ESI 1000 TOP DRIVE TORQUE VS. SPEED - 8:1 GEAR RATIO**



PERFORMANCE SPECIFICATIONS	IMPERIAL	METRIC
Certified Capacity (API 8C)	500 ton	454 tonne
Max Speed	220 rpm	220 rpm
Continuous Drill Torque	52,000 lbf-ft	7,050 daN-m
Maximum Torque	65,000/78,000 lbf-ft	8,813/10,575 daN-m
Temperature Configurations	Temperature Range options from -40°F to +140°F and -50°C to +55°C.	

# 500 ESI 1350

- 100T Pull Down While Rotating
- Compatible With Most VFD Systems
- Compatible With 3rd Party Control Systems
- Dolly System Integrations
- CE/ATEX Option

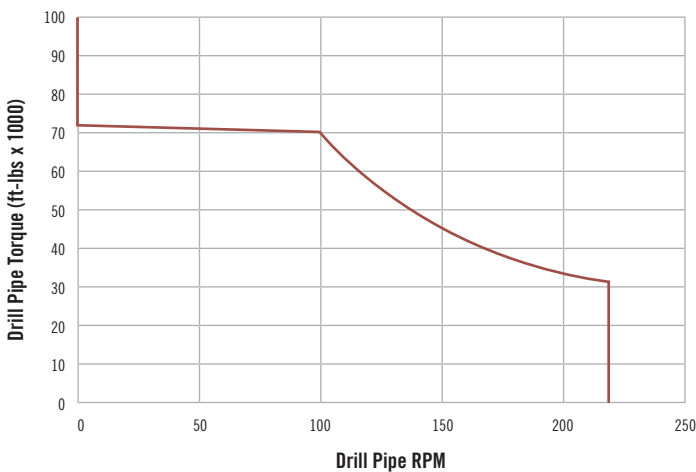


# 750 ESI 1350

- 100T Pull Down While Rotating
- Compatible With Most VFD Systems
- Compatible With 3rd Party Control Systems
- Dolly System Integrations
- CE/ATEX Option
- Jackups And Inland Barges
- ABS Option

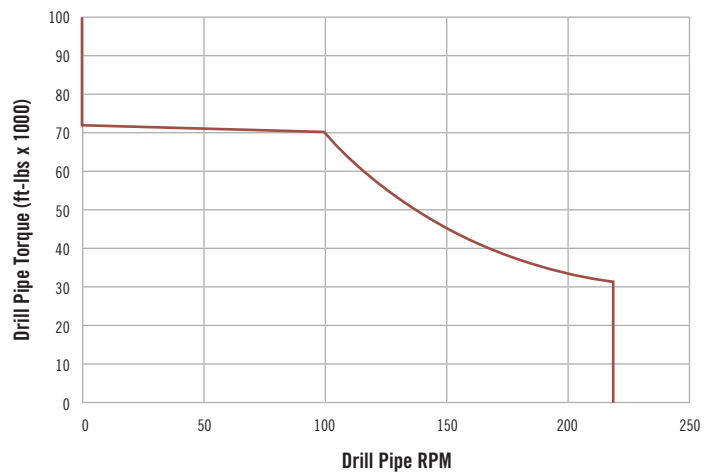


**PERFORMANCE CURVE: 500 ESI 1350 TOP DRIVE TORQUE VS. SPEED - 8:1 GEAR RATIO**



PERFORMANCE SPECIFICATIONS	IMPERIAL	METRIC
Certified Capacity (API 8C)	150 ton	136 tonne
Max Speed	200 rpm	200 rpm
Continuous Drill Torque	24,000 lbf-ft	3,252 daN-m
Maximum Torque	32,000 lbf-ft	4,336 daN-m
Temperature Configurations	Temperature Range options from -40°F to +140°F and -50°C to +55°C.	

**PERFORMANCE CURVE: 750 ESI 1350 TOP DRIVE TORQUE VS. SPEED - 8:1 GEAR RATIO**



PERFORMANCE SPECIFICATIONS	IMPERIAL	METRIC
Certified Capacity (API 8C)	750 ton	680.4 tonne
Max Speed	220 rpm	220 rpm
Continuous Drill Torque	72,000 lbf-ft	9,762 daN-m
Maximum Torque	84,000/100,000 lbf-ft	11,388/13,558 daN-m
Temperature Configurations	Temperature Range options from -40°F to +140°F and -50°C to +55°C.	



XXXX

**SALES INFORMATION**

[mail@gkunicom.ru](mailto:mail@gkunicom.ru)